



40W to 65W Medical AC-DC External Power Supplies



Features	Benefits
• CEC, ErP and EISA ⁽¹⁾ Level V Compliant, Meets DoE Level VI	• Easier System Approvals
• Wide Range AC, Class II IEC320-C8 Input	• Global Operation
• 60601-1 & 60601-1-11 Medical Certification /2xMoPP	• Simplifies Equipment Design
• >88% Average Efficiency, <0.21W No Load Power	• Consumes Less Energy

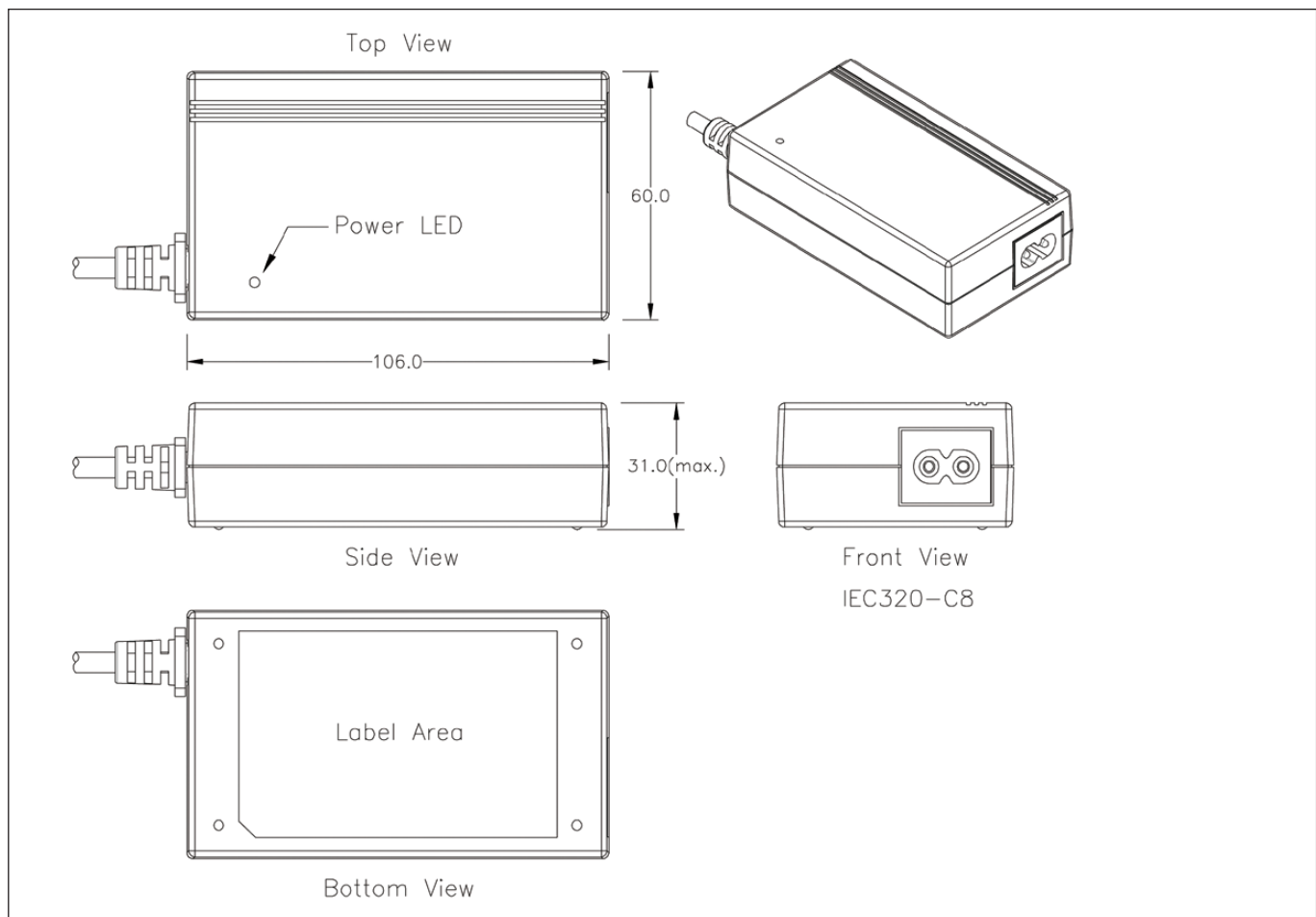
Notes: (1) EISA - Energy Independence and Security Act of 2007

Specification		
Model	DTM65-C8	
Input Voltage Range	VAC	90 - 264VAC (47 - 63Hz)
Inrush Current	A	<100A at 230VAC input, 25°C ambient cold start
Input Current	A	2A at 90VAC, Full Load
Power Factor	-	None
Hold Up Time (Typ)	ms	10ms at 115VAC input
Temperature Coefficient		±0.05%/°C
Voltage Accuracy	%	±1%
Adjustment Range	-	None
Minimum Load	A	None
Total Regulation	-	5V to 15V Models: ±5%, >15V models ±3%
Ripple & Noise	%	1% pk-pk
Overload & Short Circuit Protection	-	Continuous - hiccup mode
Overvoltage Protection	V	110 - 150% of nominal (Cycle input power to reset)
Overtemperature Protection	-	Yes (Cycle input power to reset)
Efficiency	%	>88%, average efficiency (5V model: >83.8%)
Operating Temperature	-	0°C to 60°C derate linearly to 50% load from 41°C to 60°C
Storage Temperature	°C	-10°C to 70°C
Humidity (non condensing)	%RH	10 - 90% RH
Cooling	-	Convection
Withstand Voltage	VAC	Input to Output 4kVAC
Vibration (non operating)	-	23.52m/s ² (10 - 55Hz: constant sweep 1 min X, Y, Z for 1 hour)
Shock	-	< 196.1 m/s ² (20G)
Safety Agency Certifications	-	UL/EN/IEC60601-1, CSA-C22.2 No.60601 3rd edition (2 x MOPP)
Offload Power Consumption	W	< 0.21W
EMC	-	EN55011B, EN60601-1-2
IP Rating	-	IP21
Weight (Typ)	g	240g
Size (WxLxH)	mm	60 x 106 x 31
Cable Length	mm	1050
AC Input Connector	-	IEC 320-C8 (2 prong)
Output Connector	-	Kycon KPP-4P or equivalent Pins 1 & 2: -Vout, Pins 3 & 4: +Vout
Warranty	Years	2

Output Rating

Model	Output (V)	Maximum Output (A)	Maximum Power (W)	Efficiency Level
DTM65PW050C8	5	8	40	V
DTM65PW120C8	12	5	60	VI
DTM65PW150C8	15	4	60	VI
DTM65PW190C8	19	3.42	65	VI
DTM65PW240C8	24	2.7	65	VI
DTM65PW280C8	28	2.32	65	VI
DTM65PW480C8	48	1.35	65	VI

Outline Drawing DTM65-C8 Series



Other External AC-DC Products

DTM65-C	40W to 65W Medical Adapters
DTM110-C	90W to 110W Medical Adapters
DTM165	160W to 165W Medical Adapters



TDK-Lambda France SAS

3 Avenue du Canada
Parc Technopolis
Bâtiment Sigma
91940 les Ulis
France
Tel: +33 1 60 12 71 65
Fax: +33 1 60 12 71 66
france@fr.tdk-lambda.com
www.fr.tdk-lambda.com



Italy Sales Office

Via dei Lavoratori 128/130
20092 Cinisello Balsamo (MI)
Italy
Tel: +39 02 61 29 38 63
Fax: +39 02 61 29 09 00
info.italia@it.tdk-lambda.com
www.it.tdk-lambda.com



Netherlands

info@nl.tdk-lambda.com
www.nl.tdk-lambda.com



TDK-Lambda Germany GmbH

Karl-Bold-Strasse 40
77855 Achern
Germany
Tel: +49 7841 666 0
Fax: +49 7841 5000
info.germany@de.tdk-lambda.com
www.de.tdk-lambda.com



Austria Sales Office

Aredstrasse 22
2544 Leobersdorf
Austria
Tel: +43 2256 655 84
Fax: +43 2256 645 12
info@at.tdk-lambda.com
www.de.tdk-lambda.com



Switzerland Sales Office

Bahnhofstrasse 50
8305 Dietlikon
Switzerland
Tel: +41 44 850 53 53
Fax: +41 44 850 53 50
info@ch.tdk-lambda.com
www.de.tdk-lambda.com



Nordic Sales Office

Haderslevvej 36B
DK-6000 Kolding
Denmark
Tel: +45 2911 9556
info@dk.tdk-lambda.com



TDK-Lambda UK Ltd.

Kingsley Avenue
Ilfracombe
Devon EX34 8ES
United Kingdom
Tel: +44 (0) 12 71 85 66 66
Fax: +44 (0) 12 71 86 48 94
powersolutions@uk.tdk-lambda.com
www.uk.tdk-lambda.com



TDK-Lambda Ltd.

Kibbutz
Givat Hashlosha 48800
Israel
Tel: +9 723 902 4333
Fax: +9 723 902 4777
info@tdk-lambda.co.il
www.tdk-lambda.co.il



C.I.S.

Commercial Support:
Tel: +7 (495) 665 2627
Technical Support:
Tel: +7 (812) 658 0463
info@tdk-lambda.ru
www.tdk-lambda.ru

Local Distribution

